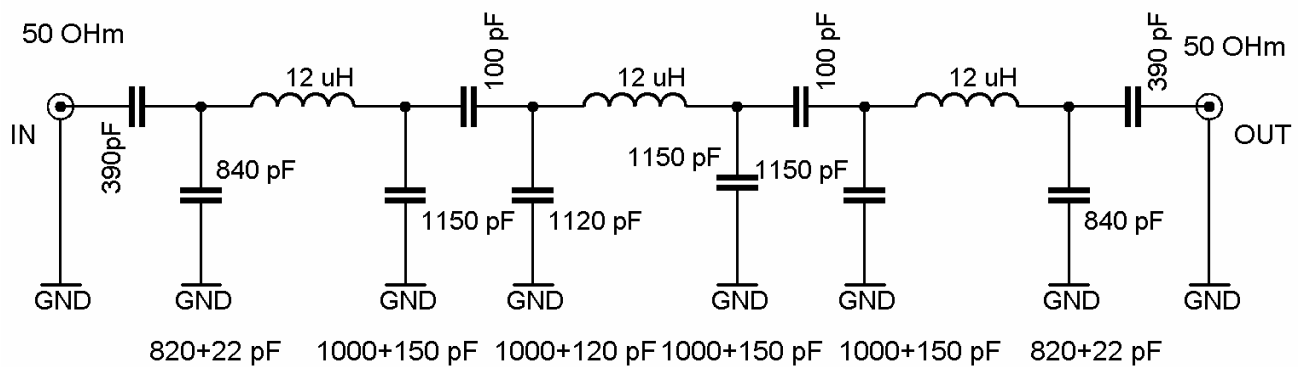


Band pass filters for Top band - 160 m by YU1LM/QRP

Top band (160m) is band with a lot of problems for HAMs who are working on them. A lot of signals from close MW very strong transmitters are producing IMDs and they unable receiving very weak HAM signals. This situation is real challenge for top band receivers. To improve receivers IMD performances one possible solution, except good antenna systems, is sharp band pass filter. This is my proposal and design to help in improving receiver selectivity and IMD specification. This design I made as help to Michel ON7EH who asked me to do this.

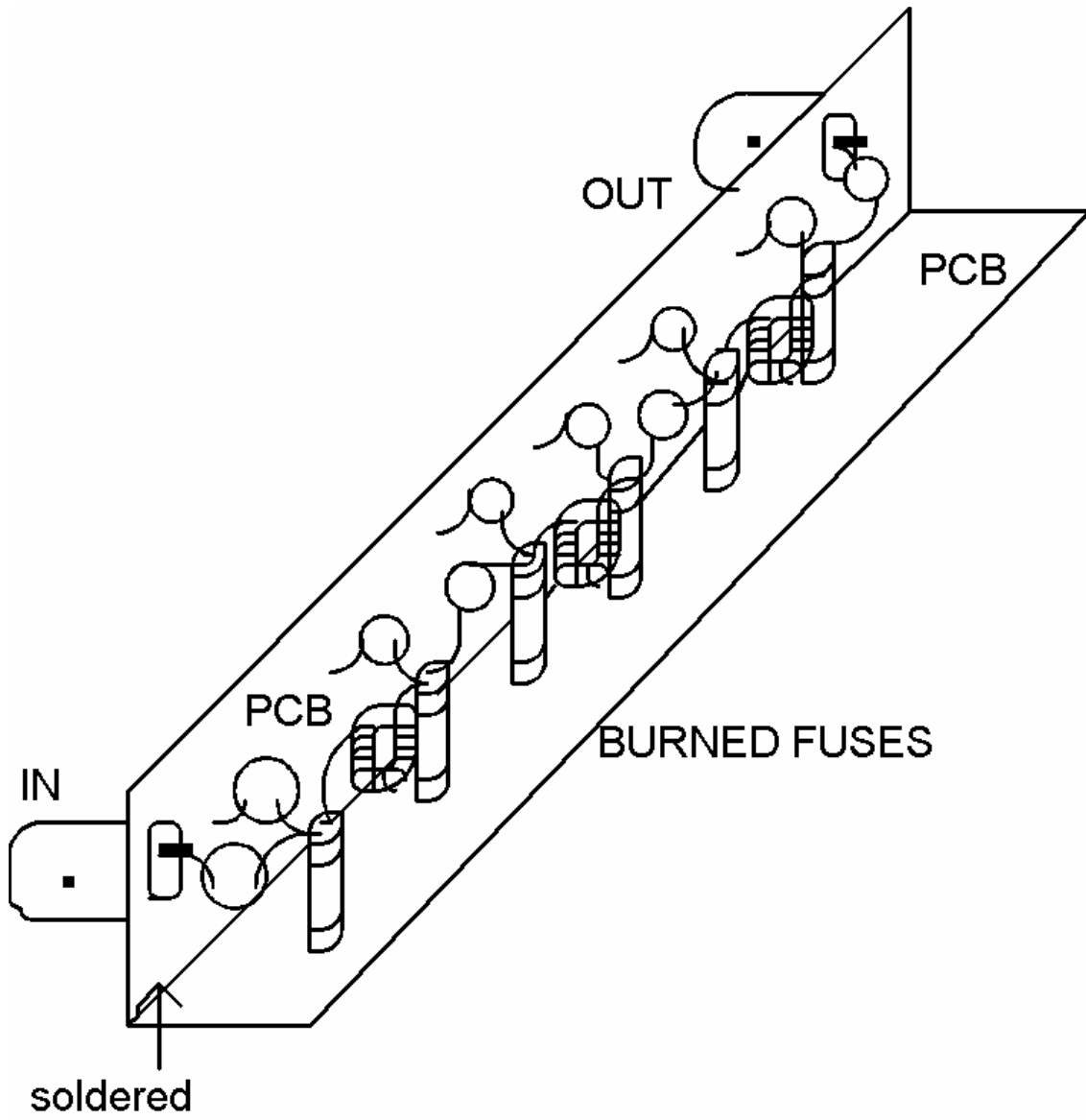


BAND PASS 1.8-1.9 MHz YU1LM/QRP

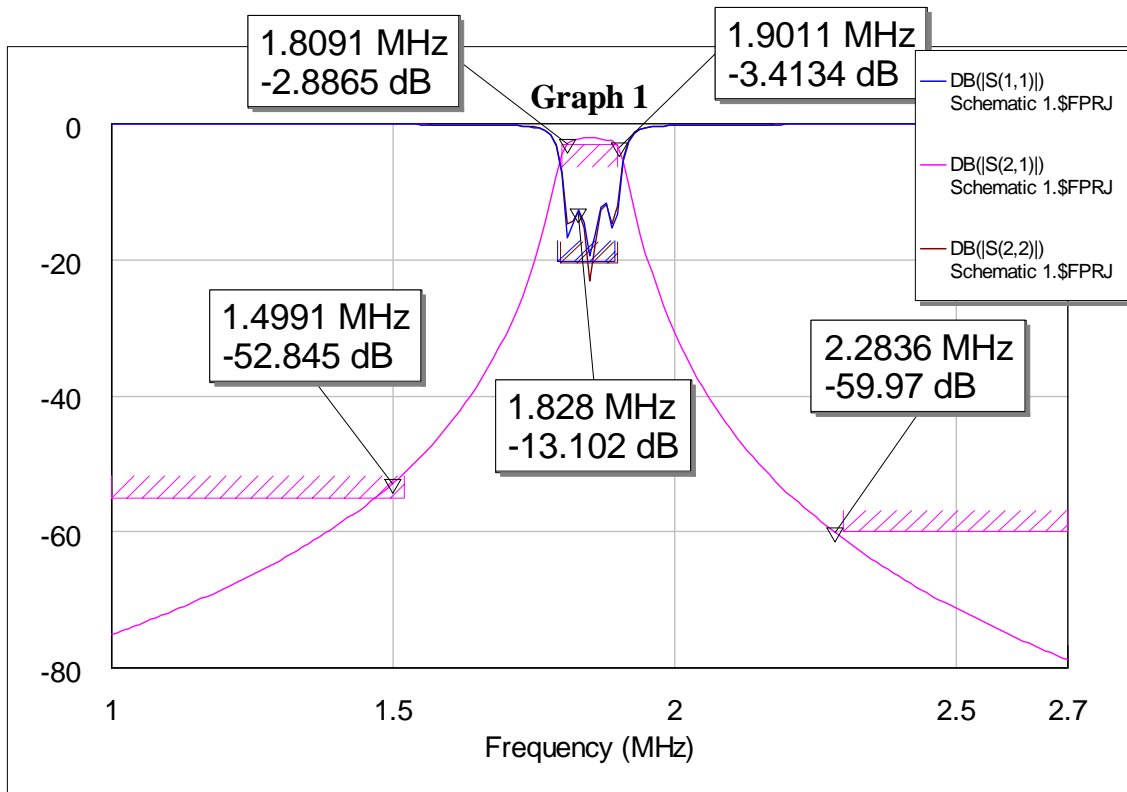
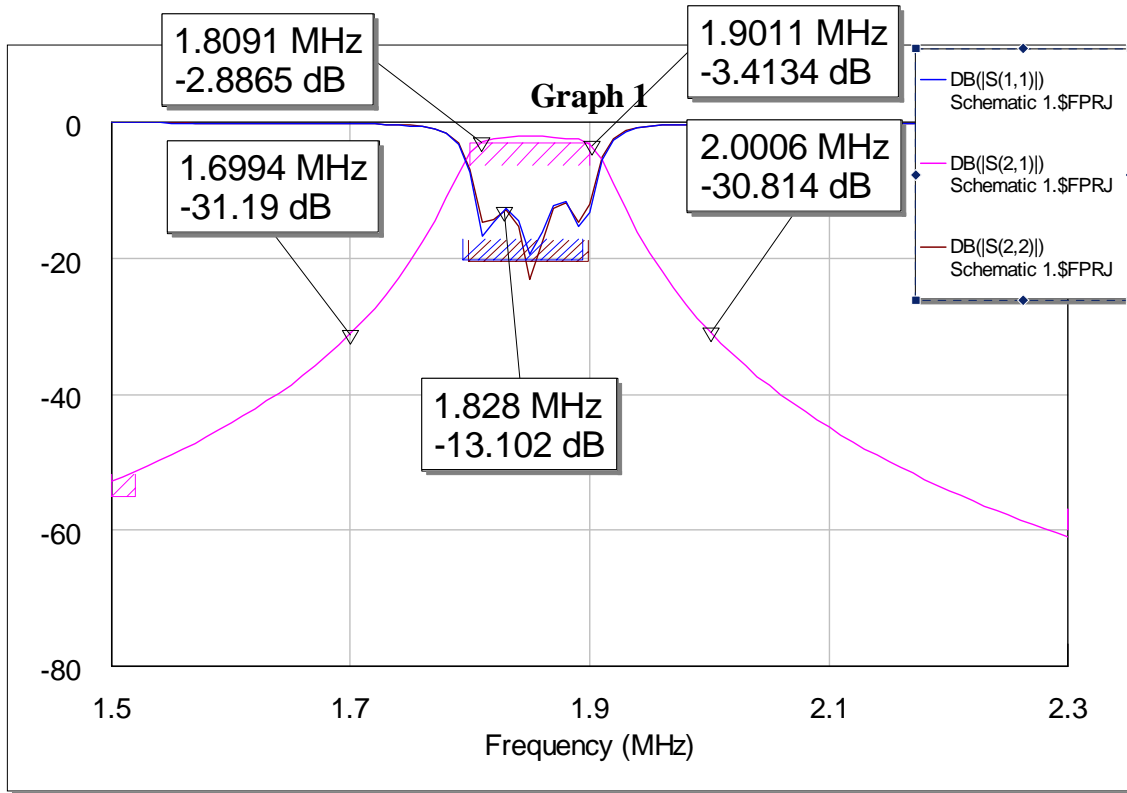
All components is better than 5 % tolerance

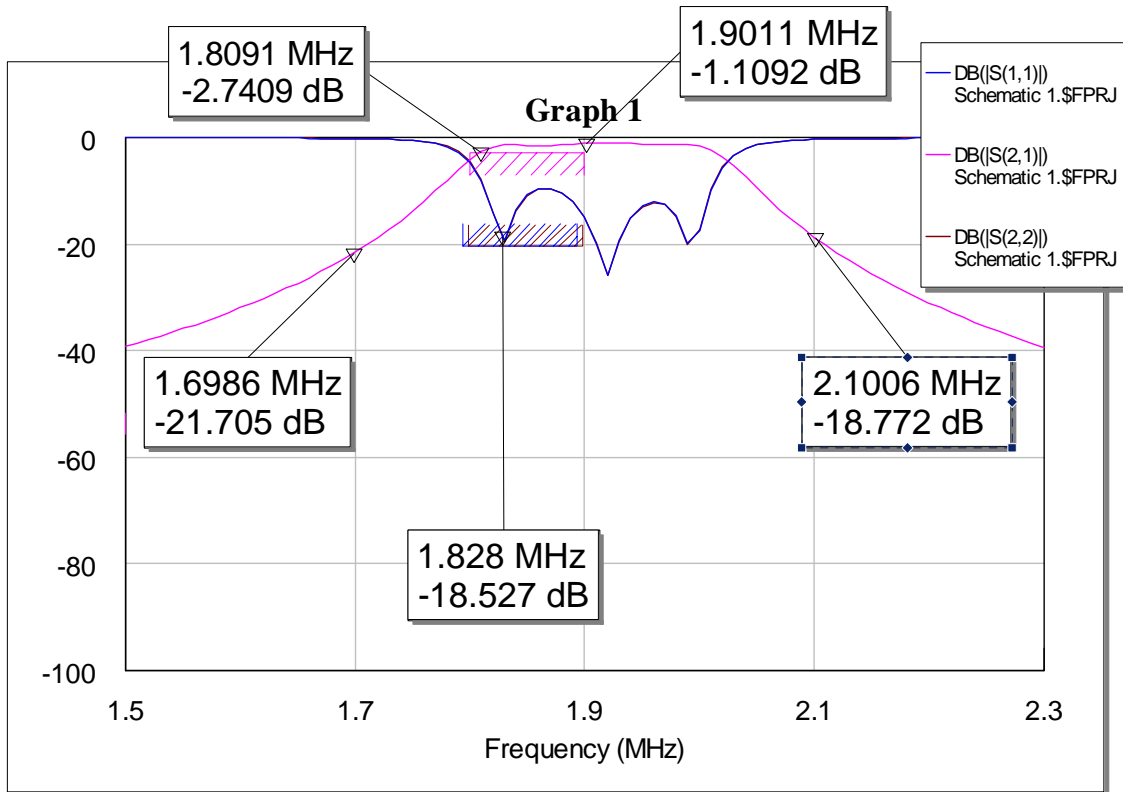
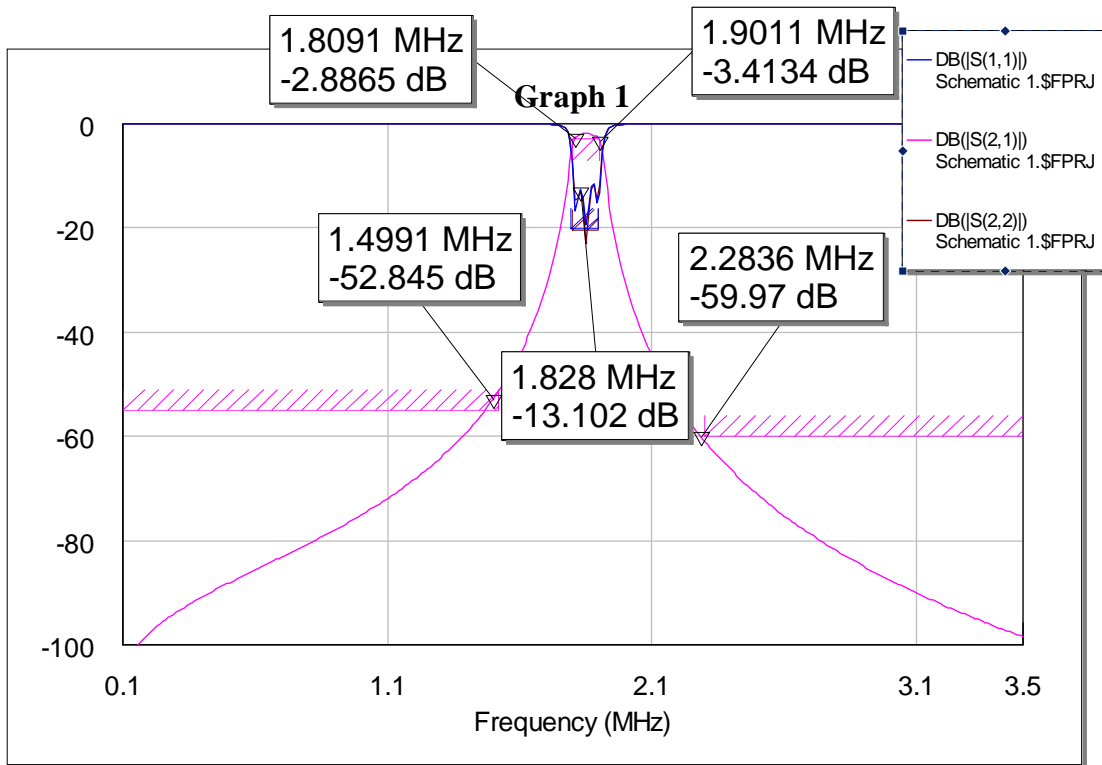
L=12 uH 49 turn 0.2 mm CuL on Amidon T 50-2 RED

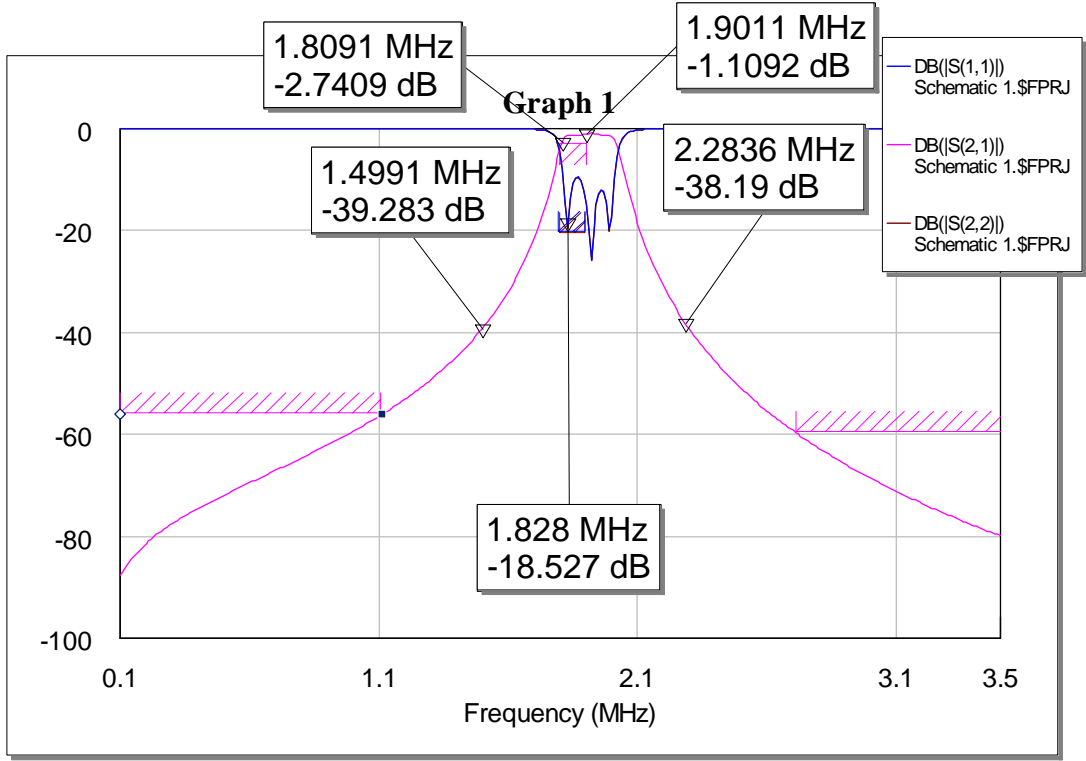
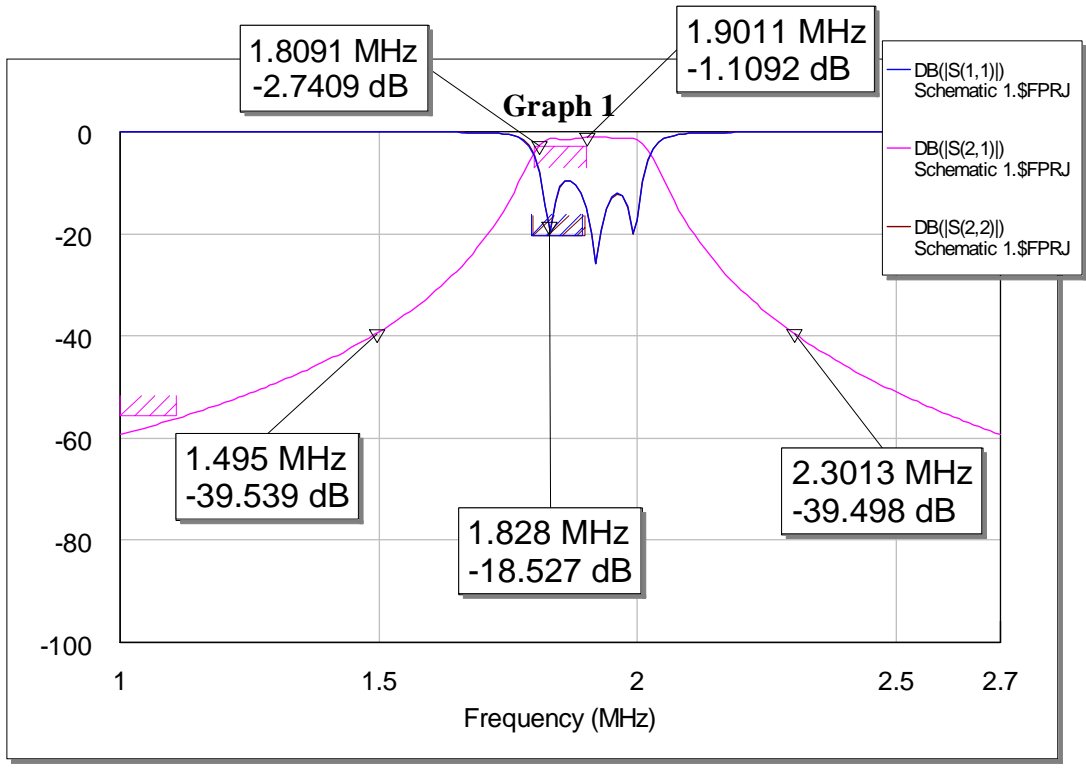
Practical realization my proposal



Frequency response for filters respectively







Michel ON7EH measurements on network analyzer see his prototype and response below:

