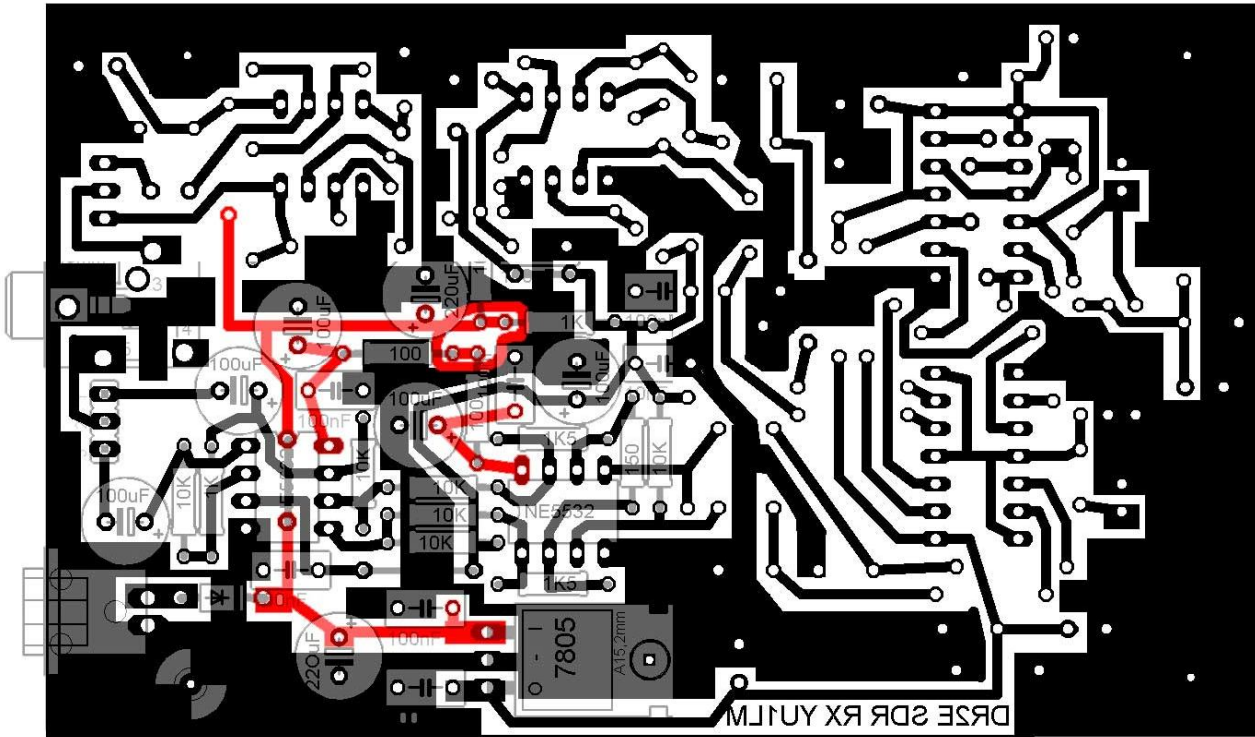


DR2E Corrections

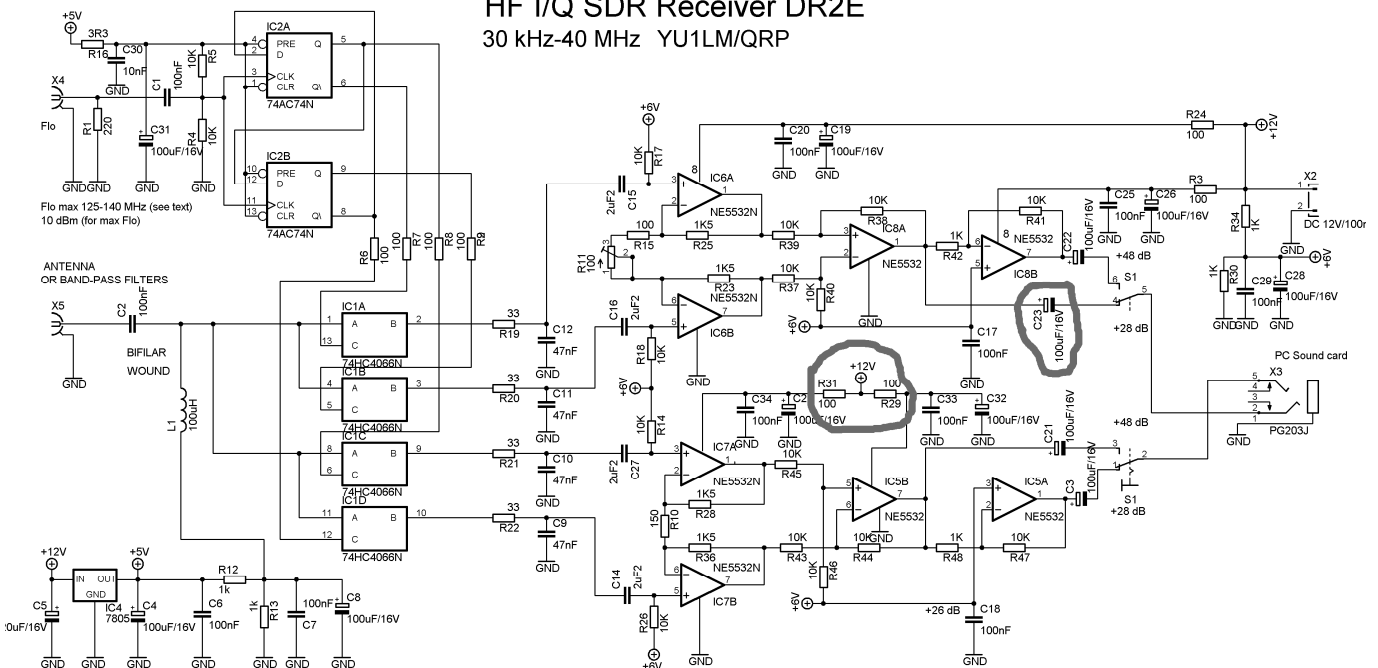
This receiver is a good design according to the achieved performances. Please read article with classification of all my published designs. I made few very critical errors. I have to express my gratitude to all who wrote about them especially to EB5EKT – Elias which corrections I am using in this article.

First PCB errors

I missed connection for power supply IC7, IC5 and output C23 100uF. Corrected new version of PCB and Schematic are down.



HF I/Q SDR Receiver DR2E
30 kHz-40 MHz YU1LM/QRP



HF I/Q SDR Receiver DR2E Rev1

30 KHz-40 MHz YU1LM/QRP

